

WR-T2T3-DC

For installation at LPZ 0_c-1 or higher, protecting d.c power supply system from surge damages. Applied in pluggable SPD Class II (Class C) for various d.c. power supply system. Designed according to IEC 61643-1/GB 18802.1.

- Pluggable module, easy for installation and maintenance
- High discharge capacity, quick response
- Double thermal disconnection devices, provide more reliable protection
- Multifunctional terminals for connection of conductors and busbars
- Green window will change when fault occurs, also provide remote alarm terminal



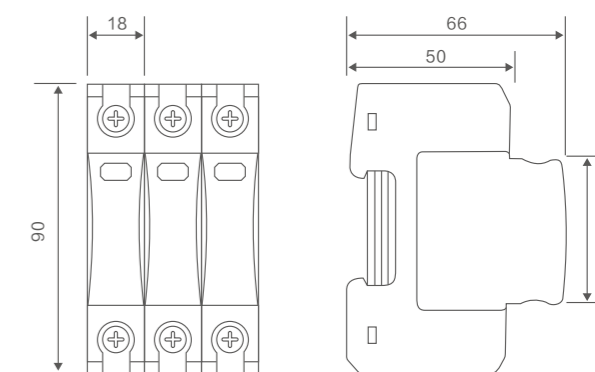
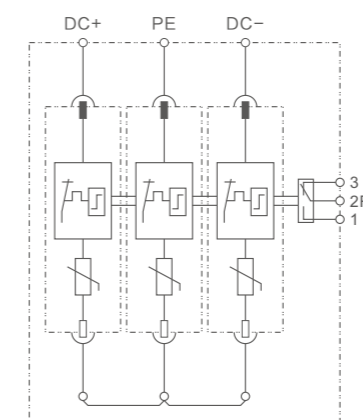
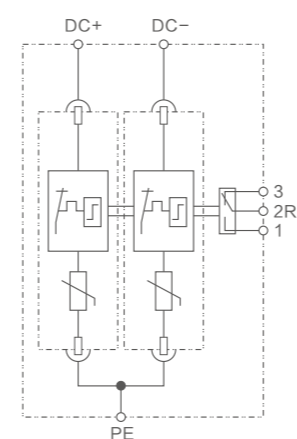
WR-T2T3-DC / 2P



WR-T2T3-DC / 3P

Type	WR-T2T3-DC / 2P	WR-T2T3-DC / 3P
Rated voltage (max.continuous a.c.voltage) [U _c]	800VDC / 1000VDC / 1200VDC	
Nominal discharge current (8/20) [I _n]	10kA	
Maximum discharge current [I _{max}]	40kA	
Voltage protection level [U _p]	3.2kV / 4.0kV / 4.4kV	
Response time [t _λ]	≤25ns	≤25ns
Max. backup fuse	125A gL/gG	125A gL/gG
Operating temperature range [T _o]	-40°C...+80°C	-40°C...+80°C
Cross-sectional area	1.5mm ² ~ 25mm ² solid / 35mm ² flexible	
Mounting on	35mm DIN rail	
Enclosure material	Purple (module) / light gray (base) thermoplastic, UL94-V0	
Dimension	1 mod	
Test standards	IEC 61643-1; GB 18802.1; YD/T 1235.1	
Certification	CE ROHS ISO9001 CQC TUV	
Type of remote signalling contact	Switching contact	
Switching capacity a.c.	250V/0.5A	
Switching capacity d.c.	250V/0.1A; 125V/0.2A; 75V/0.5A	
Cross-sectional area for remote signalling contact	Max. 1.5mm ² solid/flexible	

Type	WR-T2T3-DC / 2P	WR-T2T3-DC / 3P
Packing unit	2pc(s)	1pc(s)
Weight	198g	297g



WR-T2T3-DC Dimension diagram